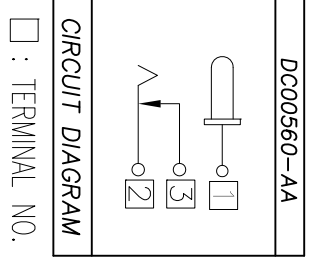
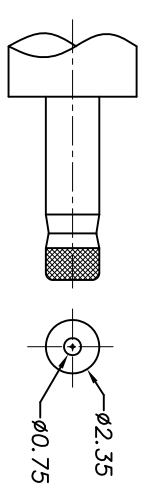
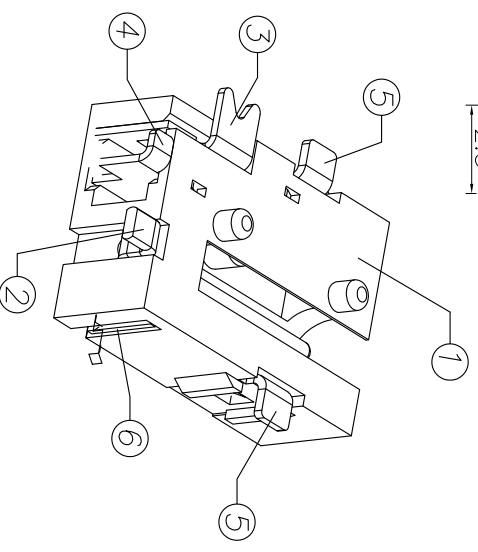


- Specification:
1. Rating : DC 12V 1A;
 2. Contact resistance : $\leq 30m\Omega$;
After test : $\leq 50m\Omega$
 3. Insulation resistance : $\geq 100M\Omega$ (500VDC) ;
After test : $\geq 50M\Omega$
 4. Withstanding voltage : 500VAC ;
 5. Insertion and extraction force : 3N~30N;
 6. Life test : 5000 cycles min;
 7. Operation temperature range : $-20^{\circ}C \sim 70^{\circ}C$
 8. Preservative temperature range : $-40^{\circ}C \sim 85^{\circ}C$



DC MATE PLUG



NO.	DESCRIPTION	QTY	MATERIAL	PART NO.	REMARK
①	Housing	1	High-temp Thermoplastic	DC00560-S1(ST-826)	Black
②	Center pin	1	Copper alloy	DC00560-02(TP-828)	Silver plating
③	Tip spring	1	Copper alloy	DC00560-03(WP-827)	Gold plating
④	Shunt terminal	1	Copper alloy	DC00560-04(JA-830)	Silver plating
⑤	Contact terminal	2	Copper alloy	DC00560-05(PP-829)	Silver plating
⑥	Cumbar terminal	1	Copper alloy	DC00560-06(JP-828)	Gold plating

UNLESS OTHERWISE SPECIFIED TOLERANCES ARE		UNIT: MM	TYPE:	MODEL NO:	PAPER NO: A4	PAGE 1 OF 1
.x	±0.50	DC	JACK	DC00560-AA	SCALE	VER
.xxx	±0.30				5:1	1
.xxxx	±0.15					
x*	±3.0°	DESIGNER BY:				
xx*	±2.0°	CHECK BY:				
xxx*	±1.0°	APPROVED BY:				

承永實業有限公司
BLUE SOURCES ELECTRONICS CO.,LTD.